



“Innovation in Milk Analysis”

Milk-Lab Compact was developed in 2008 to perform on the spot, fast, cost free, raw milk testing. Designed for use in dairy farms, milk collection centers, milk collection trucks , small dairies, veterinary services.

It is the smallest, automatic milk examiner ever built with high level of accuracy and repeatability that is inline with bench chemistry methods.

Milk-Lab *COMPACT*



Raw Milk Analysis For

- FAT
- SNF (Solids-Non-Fat)
- PROTEIN
- TOTAL SOLIDS
- TEMPERATURE

in 60 seconds

KEY FEATURES

- Simple push button operation.
- Portable, lightweight, ergonomic design.
- Low cost of ownership.
- No use of hazardous chemicals or glass.
- Established Ultrasound Spectroscopic Technology.
- High accuracy, in line with bench chemistry methods
- Automatic peristaltic pump for suction, discharge and cleaning.
- 2 point Self calibration.
- Automatic cleaning program
- RS232 connection for printer OR PC
- Data Collection Software.

Thermal Printer - *Optional*

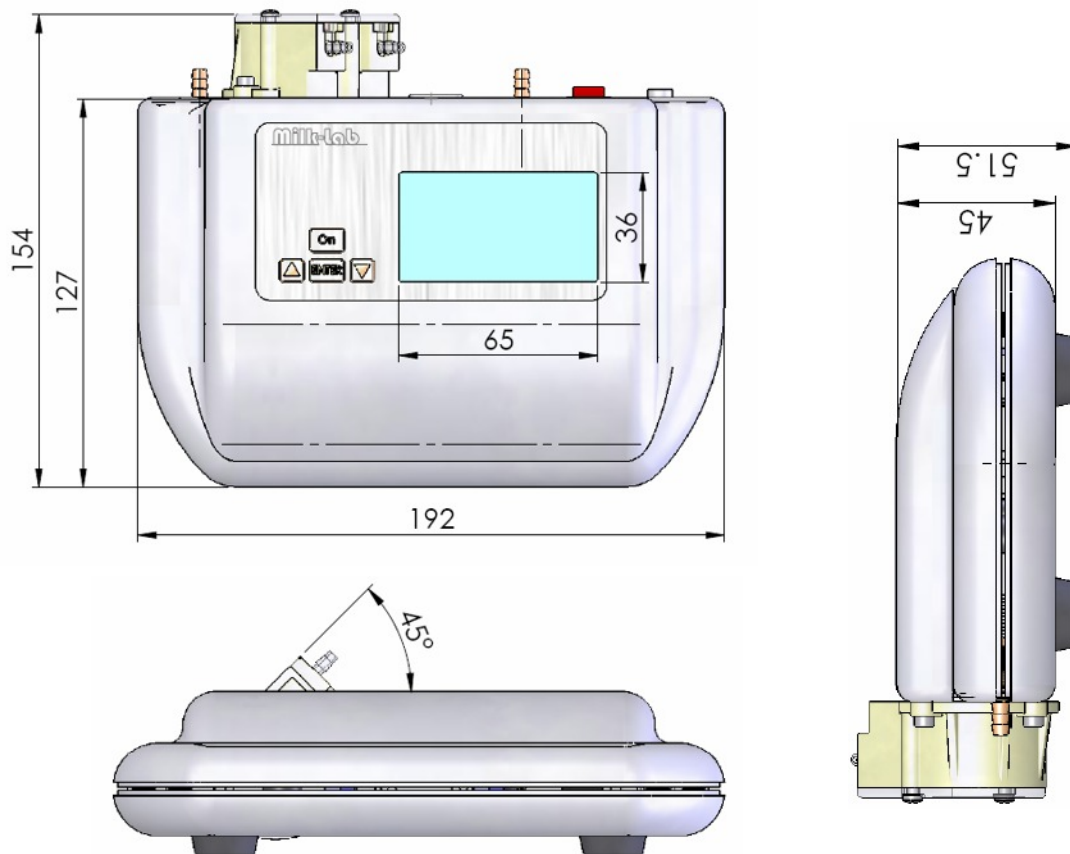


TECHNICAL INFORMATION

Parameters	Range	Accuracy
Fat	0,01– 9%	±0,1%
Solids-non-fat (SNF)	3% –15%	±0,15%
Protein	2% – 20%	±0,15%
Total Solids	3%- 25%	±0,15%
Milk sample temperature	5°C – 40 °C	±1%

Ambient Conditions :

Air temperature	10 to 40 °C (43 °C)
Relative humidity	30% to 80%
Power supply	220V (110V)



Net Weight: 0.7 kg.
 Sample Vol.: 15 ml.

Milk-Lab UK Ltd. 71 Lees Rd., Odham, Lancashire, OL4 1JW, UK.
 Tel/Fax : +44 (0) 161 6270007 , www.milk-lab.co.uk